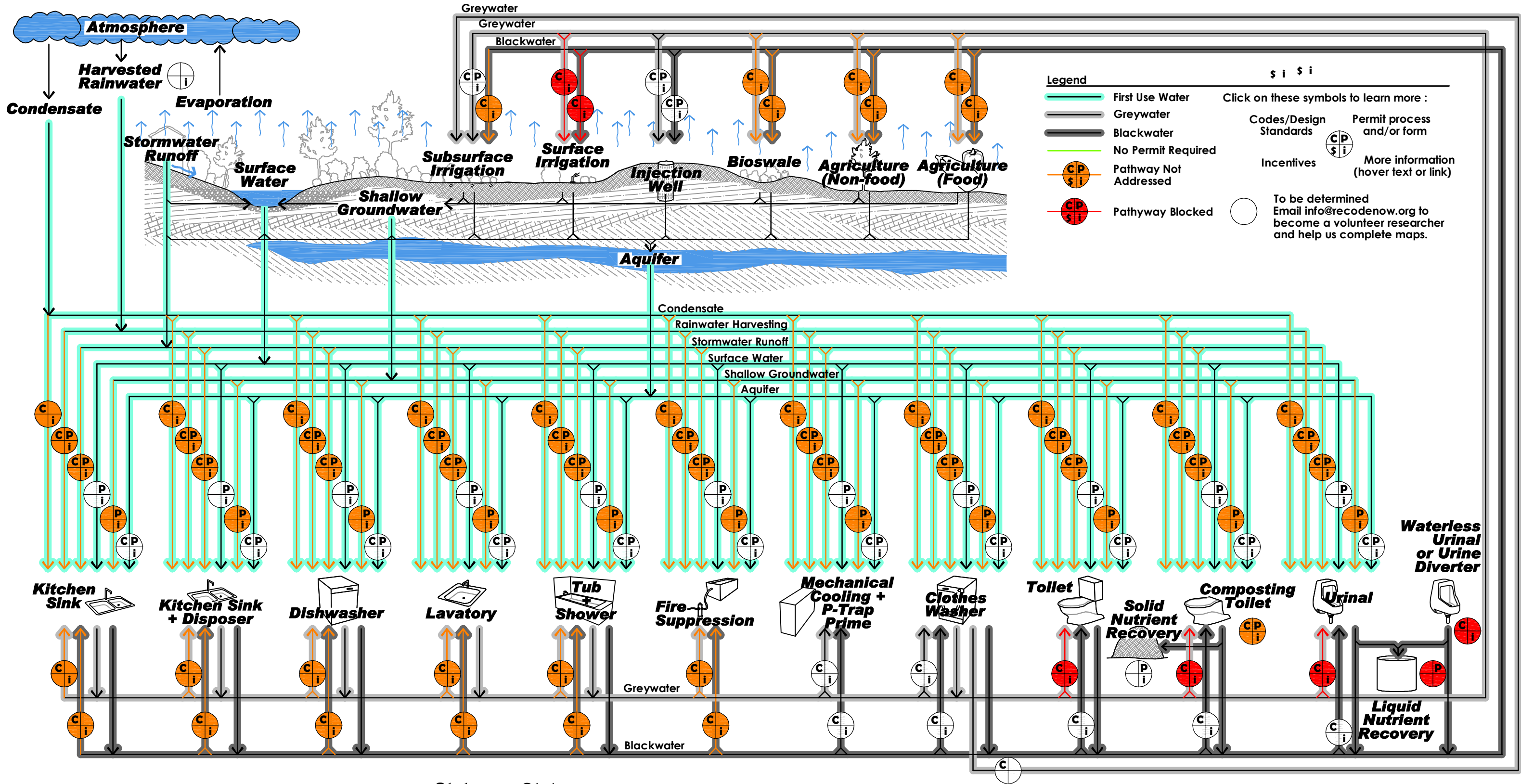


# ONSITE WATER REUSE SYSTEMS PERMIT PATHWAYS FOR BUILDINGS IN WASHINGTON



<b>RWH Storage</b>	<b>Greywater Storage</b>	<b>Blackwater Storage</b>	<b>Water Rights</b>	<b>State Plumbing Code</b>	<b>State Health Dept</b>